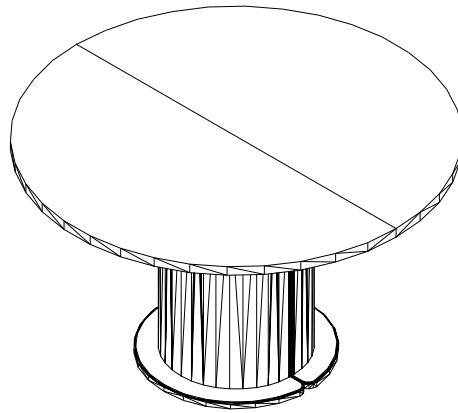


Round table D130x74

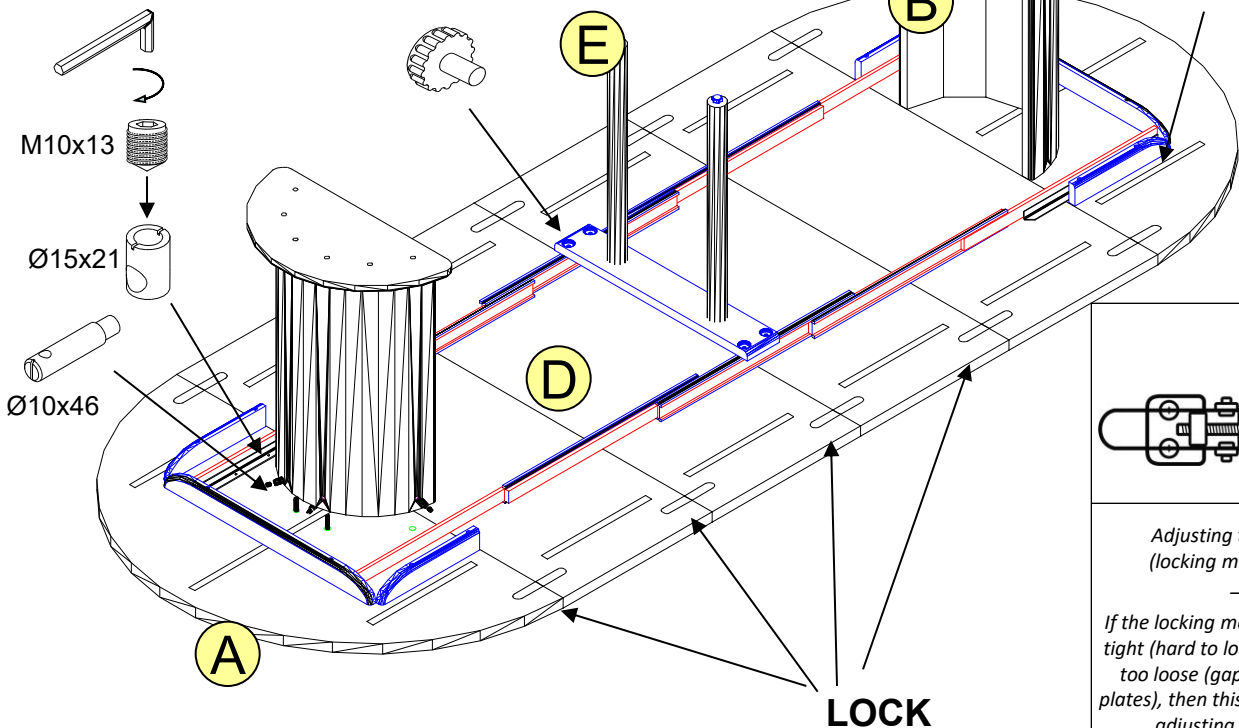


ASSEMBLING INSTRUCTION

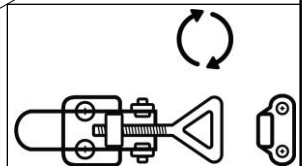
- A** Dining table top - 1 pcs.
- B** Leg (Column side) - 2 pcs.
- C** Column base - 2 pcs.
- D** Leave - 4 pcs.
- E** Extra leg - 2 pcs.

1. TURN THE TOP PLATE **A** AND LEG (COLUMN SIDE) **B** UP SIDE DOWN ON TO IDEALY CLEAN AND STRAIGHT SURFACE.
2. FIX LEG (COLUMN SIDE) **B** TO THE TOP PLATE **A** :
 - 2.1. INSERT BOLTS $\varnothing 10 \times 46$ TO THE HOLES IN TOP PLATE **A**
 - 2.2. INSERT BOLTS $\varnothing 15 \times 21$ TO THE HOLES IN LEGS BLOCK **B** (BOLT MUST BE ALIGNED TO ALLOW THE BOLT $\varnothing 10 \times 46$ TO FIT INTO IT).
 - 2.3. CONNECT WOODEN LEGS BLOCK WITH TOP PLATE AND SCREW WITH M10x13 BOLTS
3. SCREW COLUMN BASE **C** TO THE LEG (COLUMN SIDE) **B** WITH SCREWS $\varnothing 5 \times 25$.

LOOK AT THE PICTURE 1.



1		1 pcs
2		8 pcs
3		8 pcs
4		8 pcs
5		4 pcs
6		12 pcs
7		12 pcs



Adjusting the leaves
(locking mechanism)

—
If the locking mechanism is too tight (hard to lock the hinge) or too loose (gap between the plates), then this can be fixed by adjusting the hook.